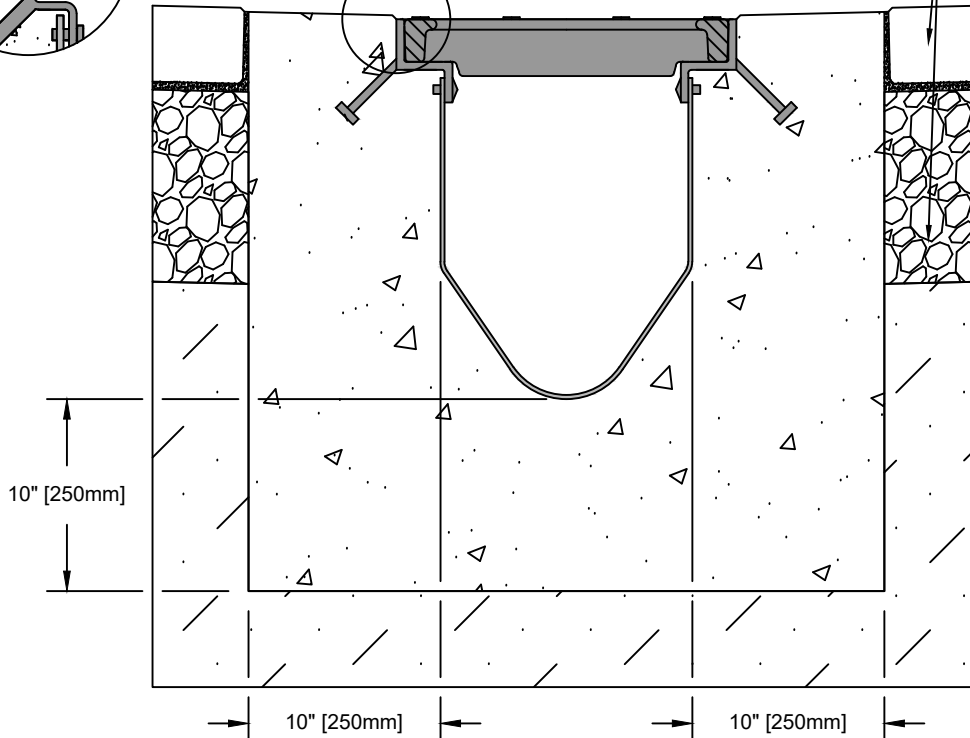


SEE NOTE 4

PAVEMENT PER DESIGN DOCUMENTS



NOTES:

1. ENSURE MINIMUM DIMENSIONS SHOWN ARE SUITABLE FOR EXISTING GROUND CONDITIONS. *ENGINEERING ADVICE MAY BE REQUIRED.*
2. MINIMUM CONCRETE STRENGTH OF 4,000 PSI IS RECOMMENDED. CONCRETE SHOULD BE VIBRATED TO ELIMINATE AIR POCKETS.
3. EXPANSION AND CONTRACTION CONTROL JOINTS AND REINFORCEMENT ARE RECOMMENDED TO PROTECT CHANNEL AND CONCRETE SURROUND. *ENGINEERING ADVICE MAY BE REQUIRED.*
4. THE FINISHED LEVEL OF THE CONCRETE SURROUND MUST BE APPROX. 1/8" [3mm] ABOVE THE TOP OF THE CHANNEL EDGE.
5. CONCRETE BASE THICKNESS SHOULD MATCH SLAB THICKNESS. ENGINEERING ADVICE MAY BE REQUIRED TO DETERMINE PROPER LOAD CLASS.
6. REFER TO ACO'S LATEST INSTALLATION INSTRUCTIONS FOR FURTHER DETAILS.

SPECIFICATION CLAUSE

FG200 FLOWDRAIN LOAD CLASS E

GENERAL

THE SURFACE DRAINAGE SYSTEM SHALL BE ACO FG200 COMPLETE WITH GRATINGS SECURED WITH BOLTED GRATINGS AND GALVANIZED STEEL "Z" FRAMES AS MANUFACTURED BY ACO, INC.

MATERIALS

CHANNELS SHALL BE MANUFACTURED FROM FIBERGLASS, WITH MINIMUM PROPERTIES AS FOLLOWS:

COMPRESSIVE STRENGTH:	23,200 PSI
FLEXURAL STRENGTH:	9,943 PSI
TENSILE STRENGTH:	16,400 PSI
WATER ABSORPTION:	0.33%
FROST PROOF	YES
DILUTE ACID AND ALKALI RESISTANT	YES
B117 SALT SPRAY TEST COMPLIANT	YES

SYSTEM SHALL BE 8" (200mm) NOMINAL INTERNAL WIDTH WITH A 10.63" (270mm) OVERALL WIDTH AND A BUILT-IN SLOPE OF 1.0% AND HAVE WALL THICKNESS OF AT LEAST 1/8" (3mm). EACH UNIT SHALL FEATURE A FULL 'V' PROFILE TRENCH BOTTOM AND A 2" (50mm) MALE TO FEMALE INTERCONNECTING END PROFILE. FRAMES SHALL BE GALVANIZED STEEL AND SHALL INCORPORATE ANCHORING FEATURES TO ENSURE MAXIMUM BOND TO SURROUNDING ENCASMENT. FRAMES SHALL INCORPORATE INSTALLATION BRACKETS TO ENSURE CORRECT AND EASY INSTALLATION. FRAMES SHALL BE AT LEAST 3/16" (5mm) THICK.

THE COMPLETE DRAINAGE SYSTEM SHALL BE BY ACO, INC. ANY DEVIATION OR PARTIAL SYSTEM DESIGN AND/OR IMPROPER INSTALLATION WILL VOID ANY AND ALL WARRANTIES PROVIDED BY ACO, INC.

CHANNEL SHALL WITHSTAND LOADING TO PROPER LOAD CLASS AS OUTLINED BY EN 1433. GRATE TYPE SHALL BE APPROPRIATE TO MEET THE SYSTEM LOAD CLASS SPECIFIED AND INTENDED APPLICATION. GRATINGS SHALL BE SECURED WITH TWO STAINLESS STEEL BOLTS PER 18" GRATE. CHANNEL AND GRATE SHALL BE CERTIFIED TO MEET THE SPECIFIED EN 1433 LOAD CLASS. THE SYSTEM SHALL BE INSTALLED IN ACCORDANCE WITH THE MANUFACTURER'S INSTRUCTIONS AND RECOMMENDATIONS.

FG2G-E-EPP

FG200 - FLOWDRAIN GALV FRAME - LOAD CLASS: E

Exposed Paver Pavement

INSTALLATION DRAWING - ACO DRAIN



DATE: 12/18/25

ACO, Inc.

825 W. Beechcraft St
Casa Grande, AZ 85122
Tel: 520-421-9988
Fax: 520-421-9899

9470 Pinecone Dr
Mentor, OH 44060
Tel: 440-639-7230
Fax: 440-639-7235

481 Munn Rd. Suite #225
Fort Mill, SC 29715
Tel: 440-639-7230
Fax: 803-802-1063